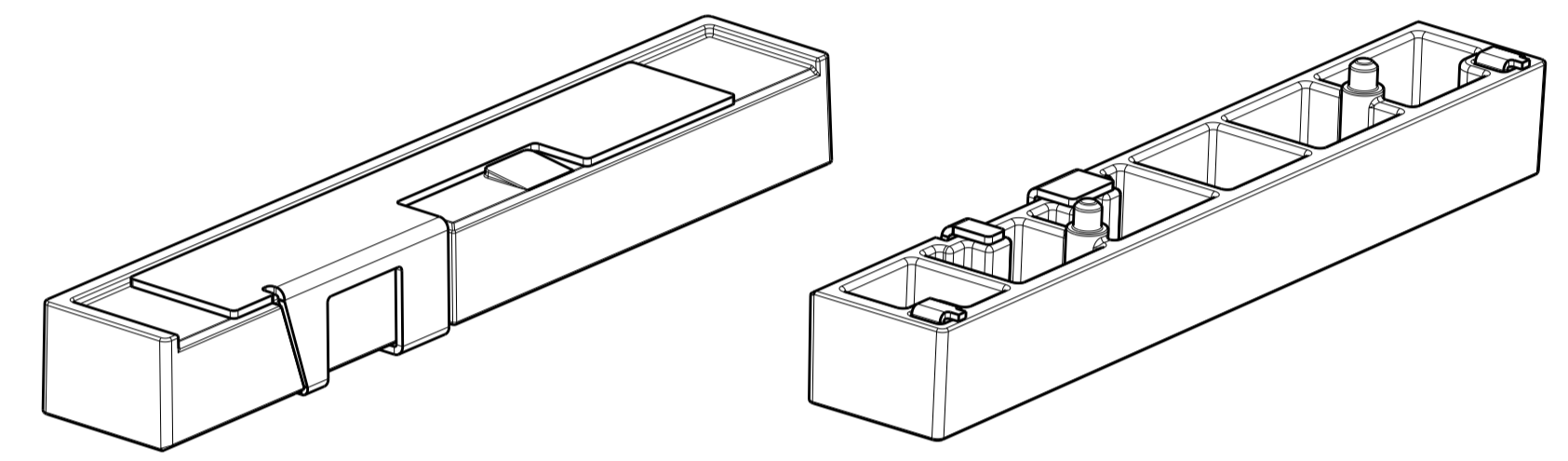
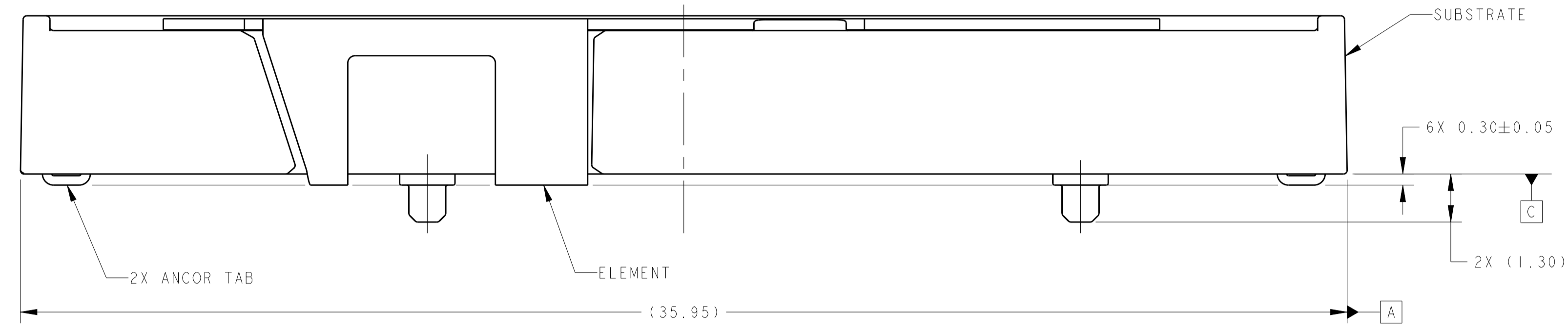
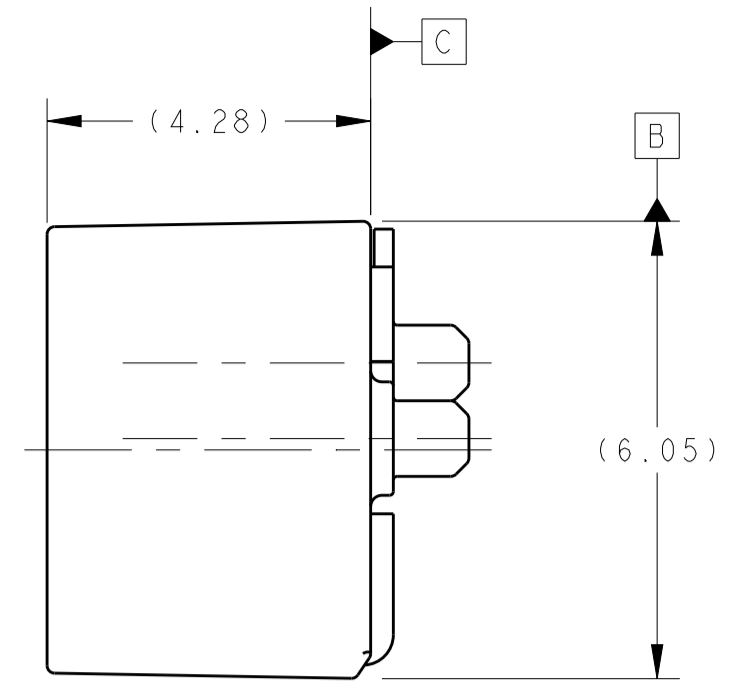
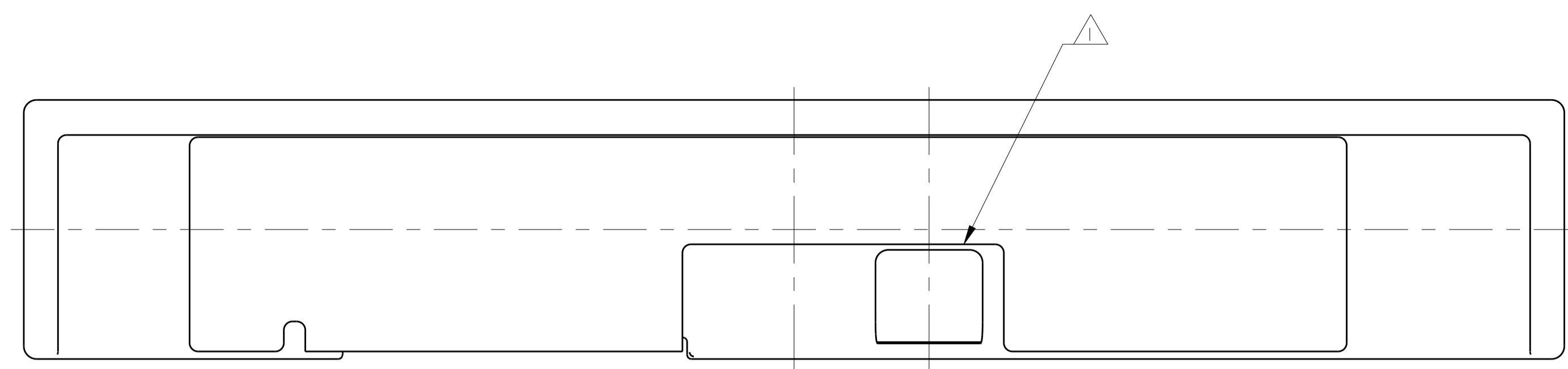
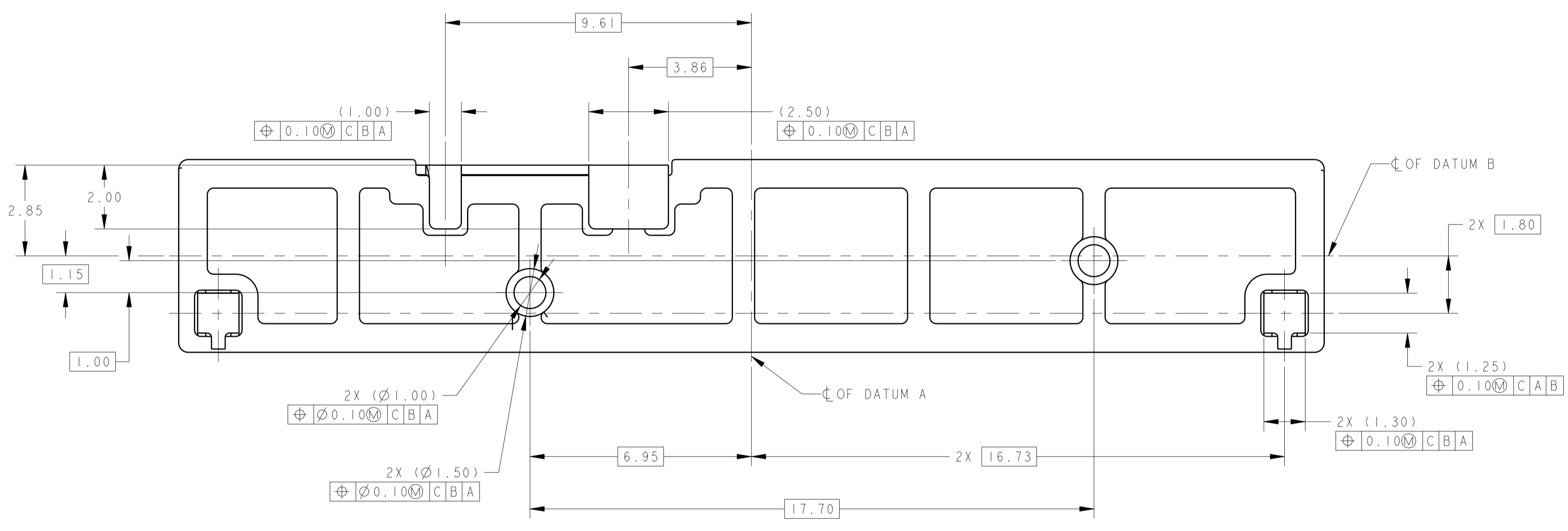


LOC		DIST		REVISIONS			
AJ		00		REV	DATE	BY	CHKD
C				RELEASED PER ECO-14-001751	06FEB2014	KF	JPS
D				REVISED PER ECO-14-010096	24JUL2014	KF	PG

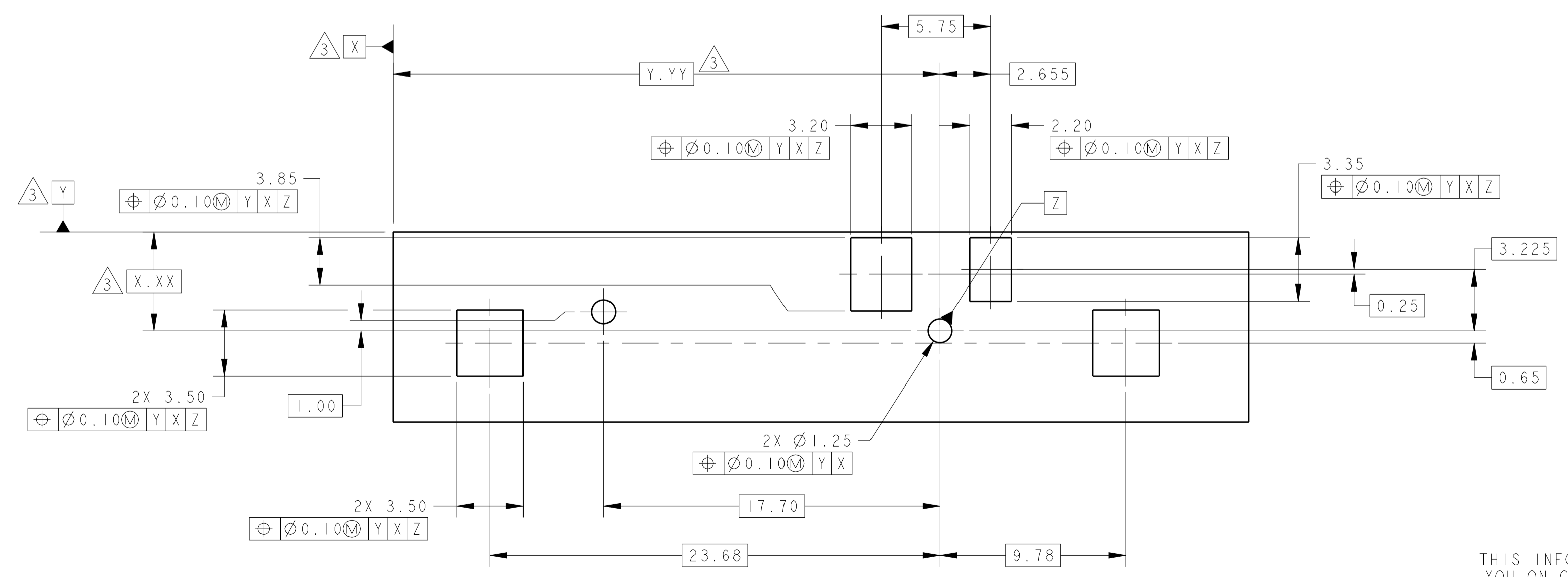


SCALE 4:1



- ASSEMBLY IS RoHS COMPLIANT PER TE CONNECTIVITY STANDARD TEC-138-702.
- MATERIAL:
 SUBSTRATE: THERMOPLASTIC, BLACK.
 ELEMENT: COLD ROLLED STEEL.
 PLATING: TIN OVER NICKEL.

- 3 DIMENSIONS AND DATUMS ESTABLISHED BY CUSTOMER.
- 4 TAPE AND REEL PACKAGING, REFERENCE PACKAGING DETAIL ON SHEET 2.
- 5 TRAY PACKAGING, REFERENCE PACKAGING DETAIL ON SHEET 3.



RECOMMENDED PCB LAYOUT SCALE 5:1

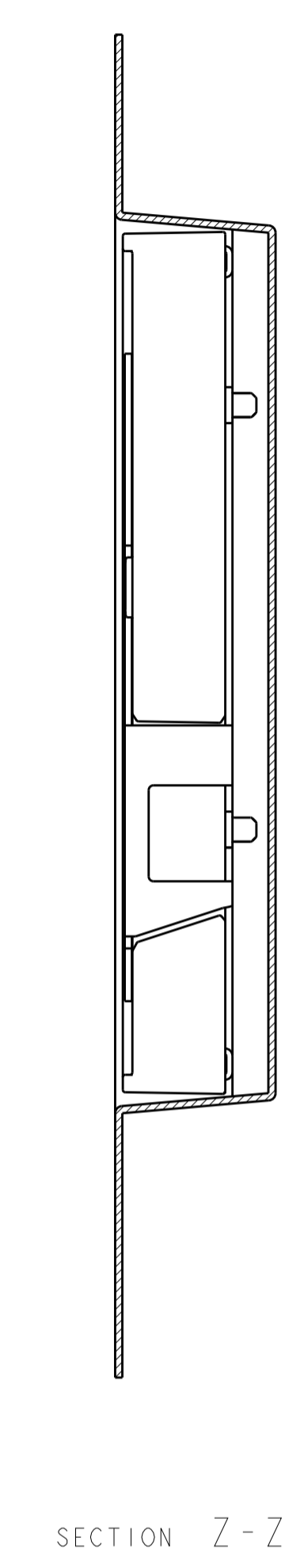
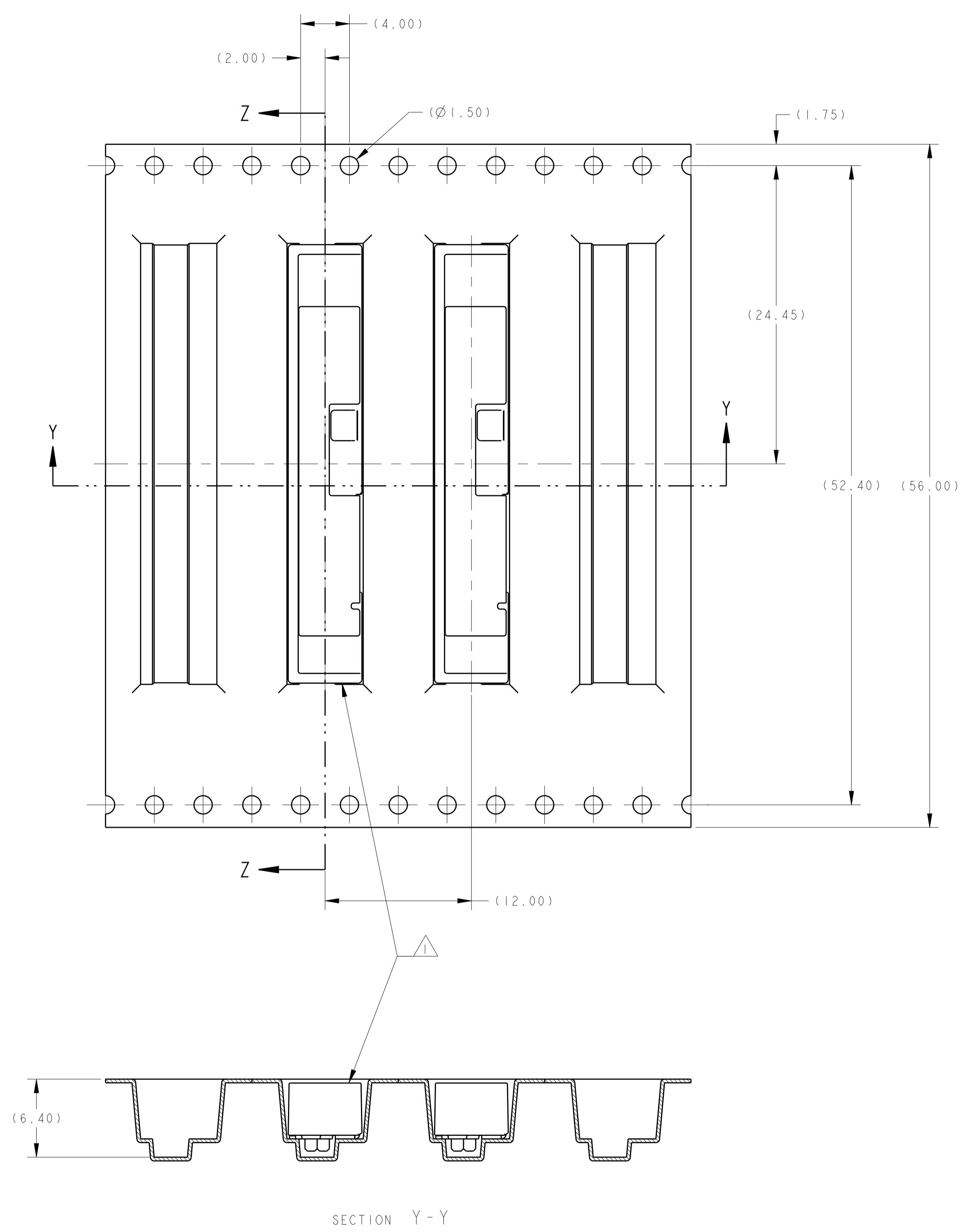
CONFIDENTIAL

THIS INFORMATION IS CONFIDENTIAL AND IS DISCLOSED TO YOU ON CONDITION THAT NO FURTHER DISCLOSURE IS MADE BY YOU TO OTHER THAN TYCO ELECTRONICS PERSONNEL WITHOUT WRITTEN AUTHORIZATION FROM TYCO ELECTRONICS, HARRISBURG, PA.

5	2118315-2
4	2118315-1
PACKAGING	PART NUMBER

THIS DRAWING IS A CONTROLLED DOCUMENT.		OWN: R. FOLTZ 11JUN2013	TE Connectivity	
DIMENSIONS: mm		CHK: G. GRIFFITH 11JUN2013	NAME: DUAL BAND, WiFi, PIFA 5 GHz, GROUND PLANE DEPENDENT	
TOLERANCES UNLESS OTHERWISE SPECIFIED:		APVD: G. GRIFFITH 11JUN2013	SIZE: A100779C=2118315	
0 PLC ±	1 PLC ±0.10	PRODUCT SPEC	RESTRICTED TO	
2 PLC ±	3 PLC ±	APPLICATION SPEC	SCALE 10:1 SHEET 1 OF 3 REV D	
4 PLC ±	ANGLES ±1°	WEIGHT		
MATERIAL: SEE NOTES		FINISH: SEE NOTES	CUSTOMER DRAWING	

LOC	DIST	REVISIONS			
P	LTH	DESCRIPTION	DATE	DMN	APVD
AJ	00	SEE SHEET 1			



SECTION Z-Z

ORIENT PARTS AS SHOWN.

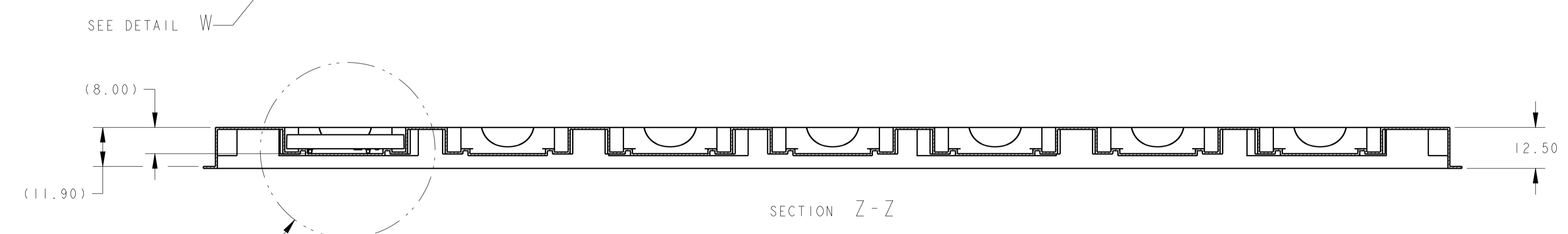
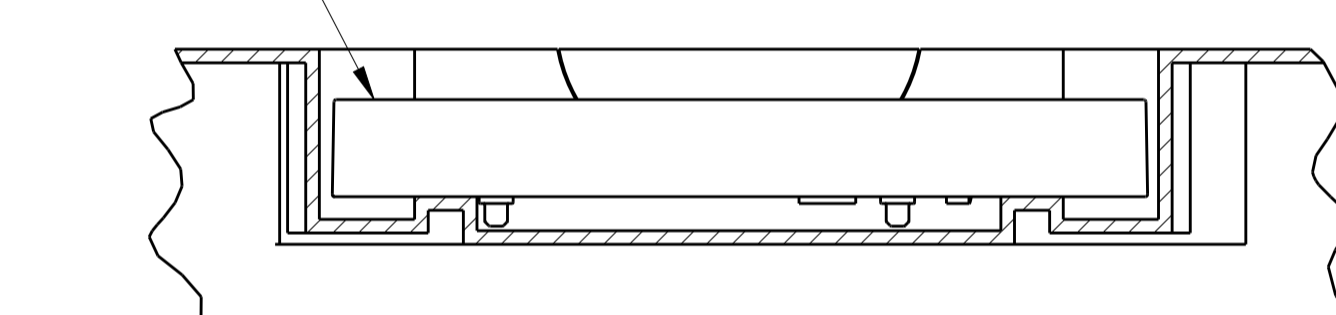
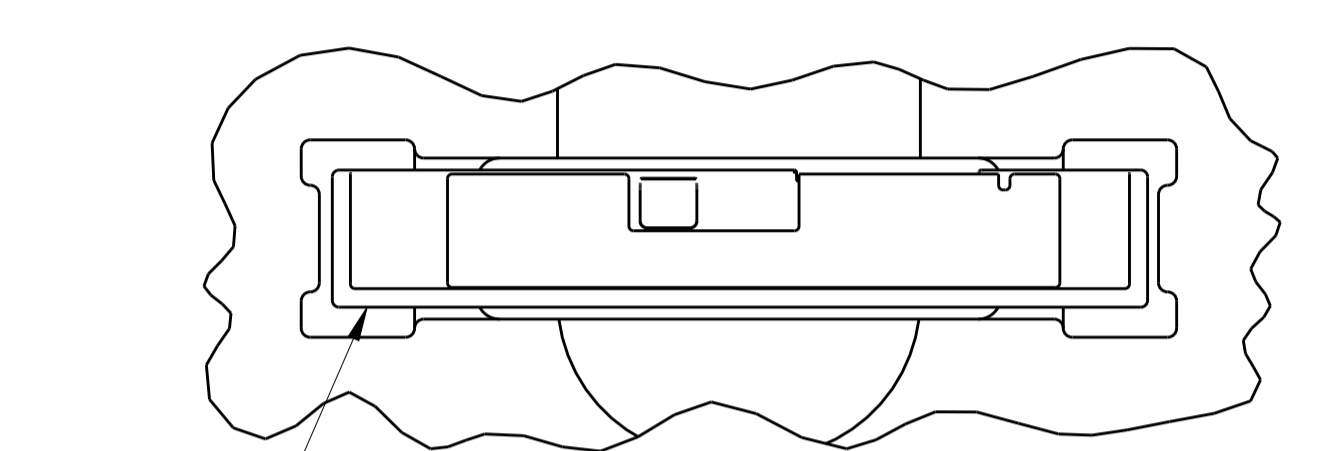
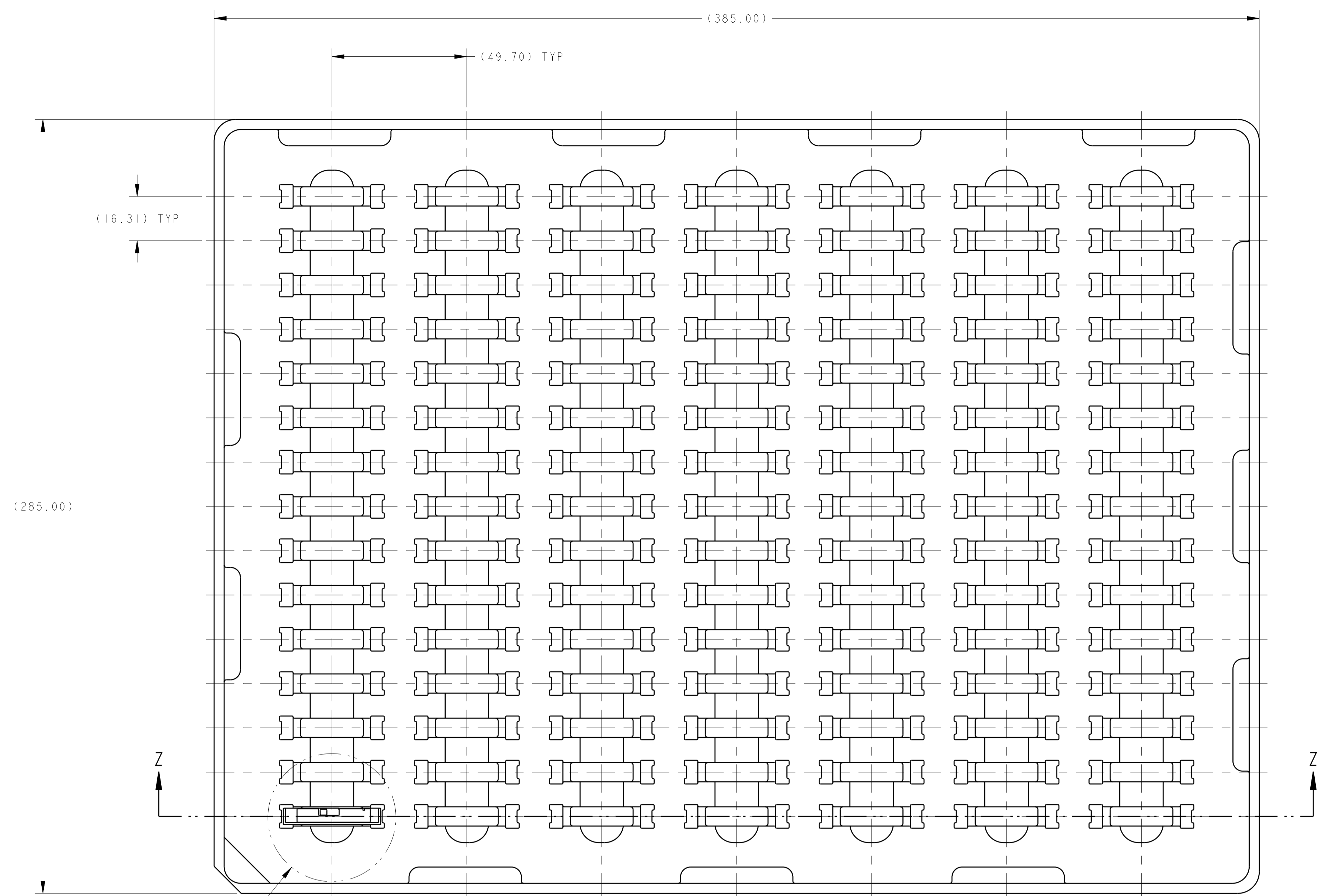
TAPE AND REEL
 PACKAGING DETAIL
 SCALE 4:1

CONFIDENTIAL

THIS INFORMATION IS CONFIDENTIAL AND IS DISCLOSED TO YOU ON CONDITION THAT NO FURTHER DISCLOSURE IS MADE BY YOU TO OTHER THAN TYCO ELECTRONICS PERSONNEL WITHOUT WRITTEN AUTHORIZATION FROM TYCO ELECTRONICS, HARRISBURG, PA.

THIS DRAWING IS A CONTROLLED DOCUMENT.		DMN R. FOLTZ 11JUN2013	TE Connectivity
DIMENSIONS: mm		CHK G. GRIFFITH 11JUN2013	
TOLERANCES UNLESS OTHERWISE SPECIFIED:		APVD G. GRIFFITH 11JUN2013	NAME DUAL BAND, WiFi, PIFA 5 GHz, GROUND PLANE DEPENDENT
0 PLC ±	1 PLC ±0.10	PRODUCT SPEC	SIZE A100779C=2118315
2 PLC ±	3 PLC ±	APPLICATION SPEC	RESTRICTED TO
4 PLC ±	ANGLES ±1°	WEIGHT	SCALE 10:1 SHEET 2 OF 3 REV D
MATERIAL SEE NOTES	FINISH SEE NOTES	CUSTOMER DRAWING	

LOC	DIST	REVISIONS			
P	LTN	DESCRIPTION	DATE	DWN	APVD
-	-	SEE SHEET 1	-	-	-



TRAY PACKAGING DETAIL
SCALE 1:1

ORIENT PARTS AS SHOWN.

CONFIDENTIAL

THIS INFORMATION IS CONFIDENTIAL AND IS DISCLOSED TO YOU ON CONDITION THAT NO FURTHER DISCLOSURE IS MADE BY YOU TO OTHER THAN TYCO ELECTRONICS PERSONNEL WITHOUT WRITTEN AUTHORIZATION FROM TYCO ELECTRONICS, HARRISBURG, PA.

THIS DRAWING IS A CONTROLLED DOCUMENT.		DWN R. FOLTZ 11JUN2013	TE Connectivity DUAL BAND, WiFi, PIFA 5 GHz, GROUND PLANE DEPENDENT
DIMENSIONS: mm		CHK G. GRIFFITH 11JUN2013	
TOLERANCES UNLESS OTHERWISE SPECIFIED:		APVD G. GRIFFITH 11JUN2013	NAME
0 PLC	±	PRODUCT SPEC	SIZE
1 PLC	±	APPLICATION SPEC	CAGE CODE
2 PLC	±0.10	WEIGHT	DRAWING NO
3 PLC	±	CUSTOMER DRAWING	A100779
4 PLC	±	SCALE	10:1
ANGLES	±1°	SHEET	3 OF 3
MATERIAL SEE NOTES	FINISH SEE NOTES	REV	D